



Freedom Accessible Shower 60" x 37"



Shower shown with available accessories
Made in America

Model APF6036BF5P
60" x 37" x 78"

5-piece for remodeling

7/8" barrier free threshold
with pre-leveled and
reinforced shower base
for easy installation

3 molded soap ledges

Durable, luxurious and
easy to clean gelcoat
fiberglass with 8" tile pattern

Full plywood backing in
walls offers strength and
easy installation of
accessories

Accessories available:
Grab bars, padded folding
shower seat, collapsible
water retainer, weighted
shower curtain and rod,
slide bar with handheld
shower, pressure balance
valve, caulkless drain

FREE OM SHOWERS

MODEL: APF6036BF5P Freedom Accessible Shower

Submittal Data

Product Features

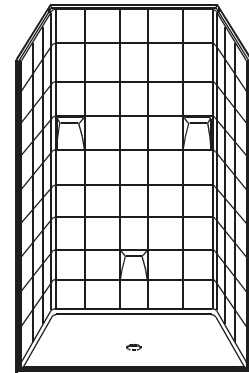
- 60" x 37" x 78"
- 5-piece for remodeling
- 7/8" barrier free threshold
- Self-supporting and pre-leveled shower base eliminates mud setting
- Full fiberglass encapsulated wood backing on walls
- tile pattern easy to clean gelcoat finish
- 3 molded soap ledges
- Textured slip-resistant floor
- Center drain location

Code Compliance

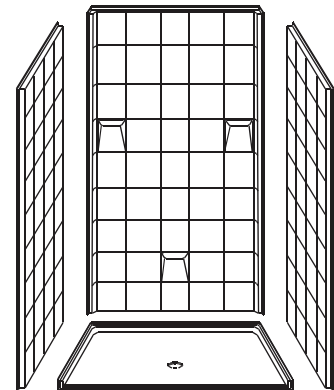
- IPC International Plumbing Code
- UPC Uniform Plumbing Code
- ANSI Z124.2 Standards for Plastic Showers

Optional Accessories (Installed at job site)

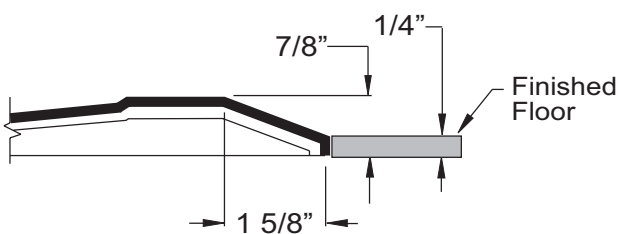
- Collapsible Water Retainer
- Folding Shower Seat
- Caulkless Drain
- Grab Bars
- Shower Rod and Curtain
- Pressure Balance Valve with hand-held Shower and Slide Bar



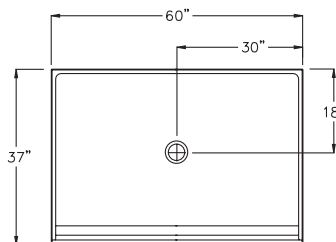
PERSPECTIVE VIEW - N.T.S.



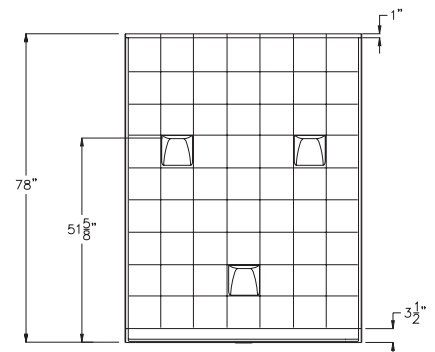
ASSEMBLY VIEW - N.T.S.



THRESHOLD VIEW



TOP VIEW

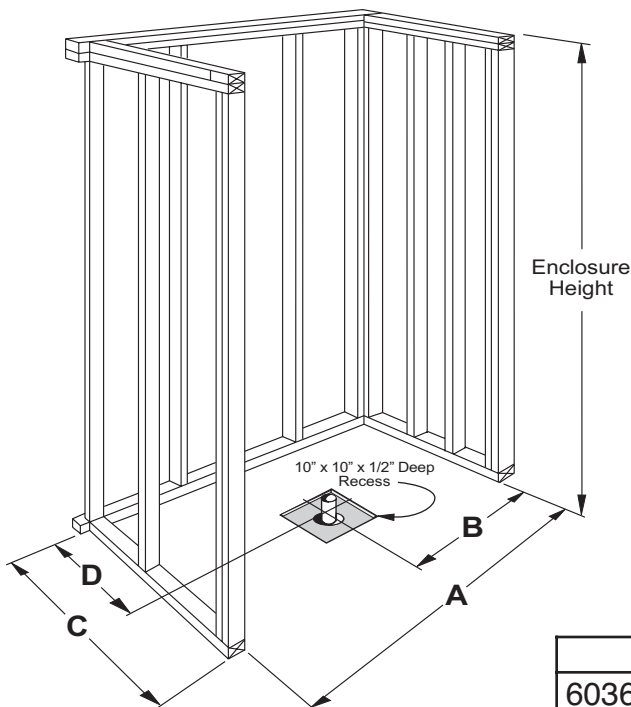
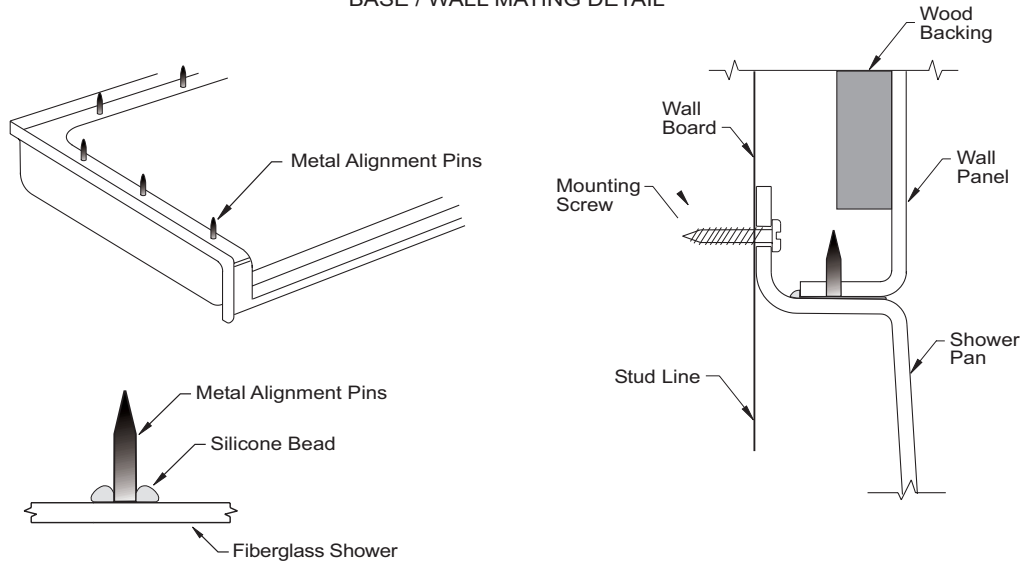


FRONT ELEVATION

FREE OM SHOWERS

MODEL: APF6036BF5P Freedom Accessible Shower Submittal Data - Installation

BASE / WALL MATING DETAIL



	A	B	C	D
6036 5P	60 1/4"	30 1/8"	37 1/4"	18 1/8"