



## Freedom Accessible Shower 60" x 49"

Model APF6048BF5P  
60" x 49" x 78"

5-piece for remodeling

1 1/4" barrier free threshold  
with pre-leveled and  
reinforced shower base  
for easy installation

3 molded soap ledges

Durable, luxurious and  
easy to clean gelcoat  
fiberglass with 8" tile pattern

Full plywood backing in  
walls offers strength and  
easy installation of  
accessories

Accessories available:  
Grab bars, padded folding  
shower seat, collapsible  
water retainer, weighted  
shower curtain and rod,  
slide bar with handheld  
shower, pressure balance  
valve, caulkless drain



Shown with available accessories  
Made in America

# FREE OM SHOWERS

## MODEL: APF6048BF5P Freedom Accessible Shower

### Submittal Data

#### Product Features

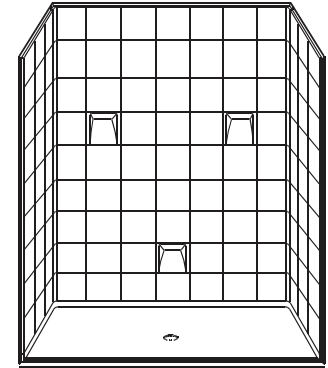
- 60" x 49" x 78"
- 5-piece for remodeling
- 7/8" barrier free threshold
- Self-supporting and pre-leveled shower base eliminates mud setting
- Full fiberglass encapsulated wood backing on walls
- tile pattern easy to clean gelcoat finish
- 3 molded soap ledges
- Textured slip-resistant floor.
- Center drain location.

#### Code Compliance

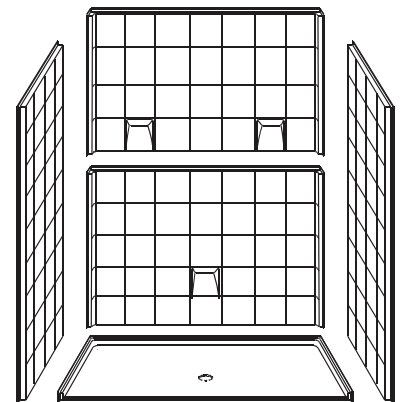
- IPC International Plumbing Code
- UPC Uniform Plumbing Code
- ANSI Z124.2 Standards for Plastic Showers

#### Optional Accessories (Installed at job site)

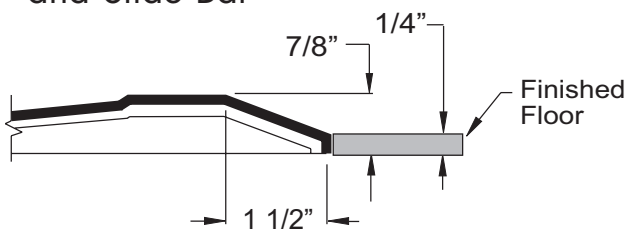
- Collapsible Water Retainer
- Folding Shower Seat
- Caulkless Drain
- Grab Bars
- Shower Rod and Curtain
- Pressure Balance Valve with hand-held Shower and Slide Bar



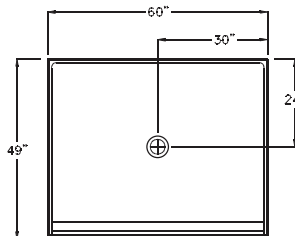
PERSPECTIVE VIEW - N.T.S.



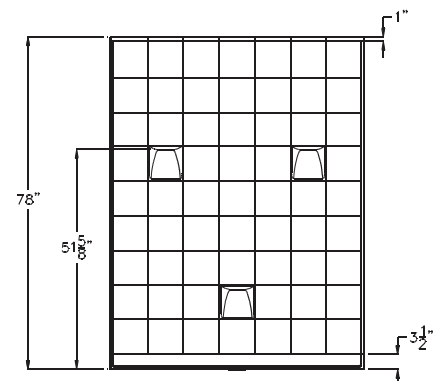
ASSEMBLY VIEW - N.T.S.



THRESHOLD VIEW



TOP VIEW

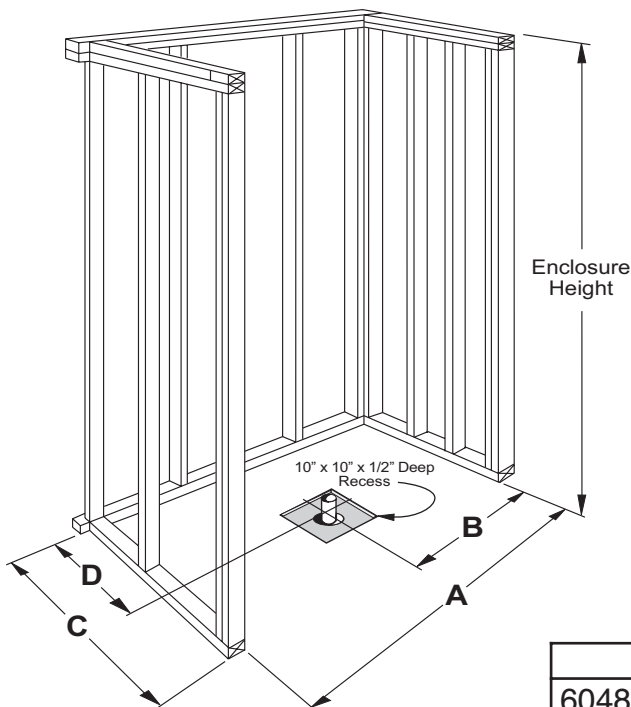
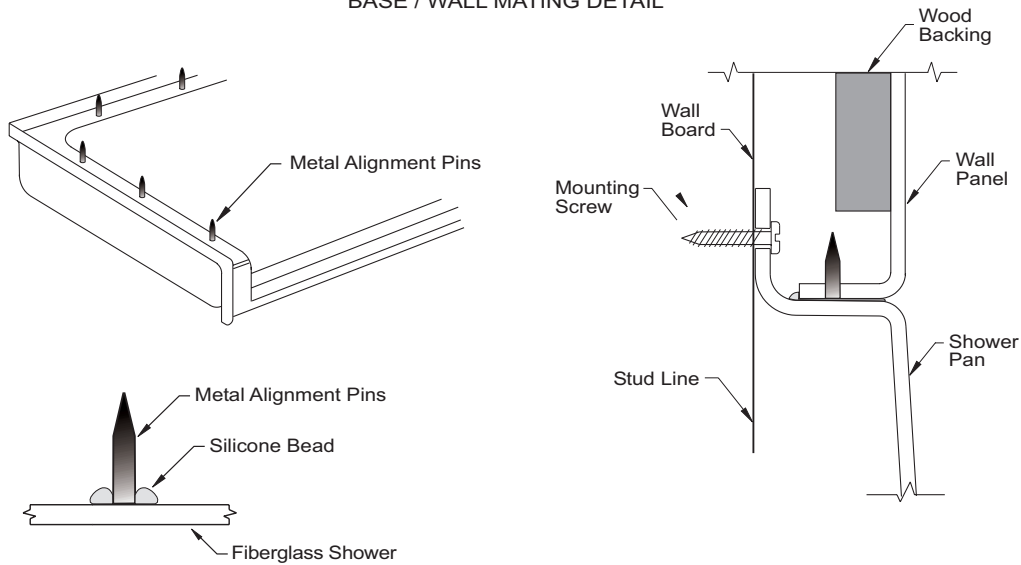


FRONT ELEVATION

# FREE OM SHOWERS

## MODEL: APF6048BF5P Freedom Accessible Shower Submittal Data - Installation

BASE / WALL MATING DETAIL



	A	B	C	D
6048 5P	60 1/4"	30 1/8"	49 1/4"	24 1/8"