



Freedom Accessible Shower 60" x 60"



Shower shown with available factory installed accessories

Model APF6060BF5P

60" x 61" x 78"

5-piece for remodeling

1 1/8" barrier free threshold with pre-leveled and reinforced shower base for easy installation

3 molded soap ledges

Durable, luxurious and easy to clean gelcoat fiberglass with 8" tile pattern

Full plywood backing in walls offers strength and easy installation of accessories

Accessories available:
Grab bars, padded folding shower seat, collapsible water retainer, weighted shower curtain and rod, slide bar with handheld shower, pressure balance valve, caulkless drain

FREE OM SHOWERS

MODEL: APF6060BF5P Freedom Accessible Shower

Submittal Data

Product Features

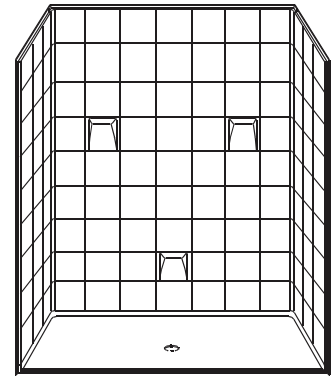
- 60" x 61" x 78"
- 5-piece for remodeling
- 1 1/8" barrier free threshold
- Self-supporting and pre-leveled shower base eliminates mud setting
- Full fiberglass encapsulated wood backing on walls
- tile pattern easy to clean gelcoat finish
- 3 molded soap ledges
- Textured slip-resistant floor
- Center drain location

Code Compliance

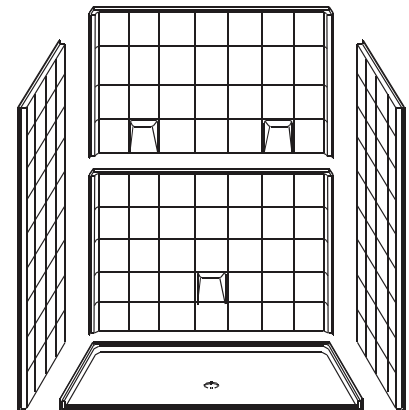
- IPC International Plumbing Code
- UPC Uniform Plumbing Code
- ANSI Z124.2 Standards for Plastic Showers

Optional Accessories (Installed at job site)

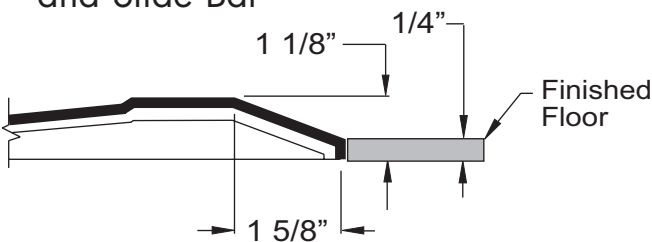
- Collapsible Water Retainer
- Folding Shower Seat
- Caulkless Drain
- Grab Bars
- Shower Rod and Curtain
- Pressure Balance Valve with hand-held Shower and Slide Bar



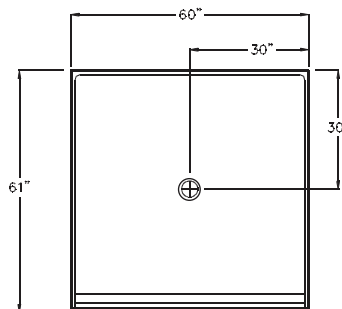
PERSPECTIVE VIEW - N.T.S.



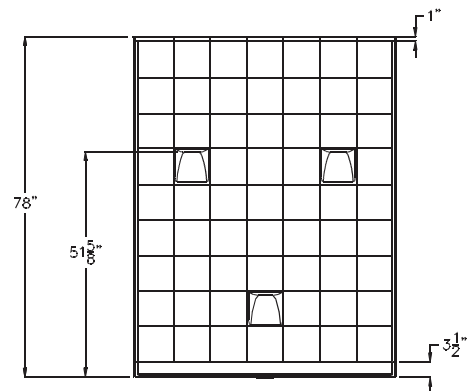
ASSEMBLY VIEW - N.T.S.



THRESHOLD VIEW



TOP VIEW

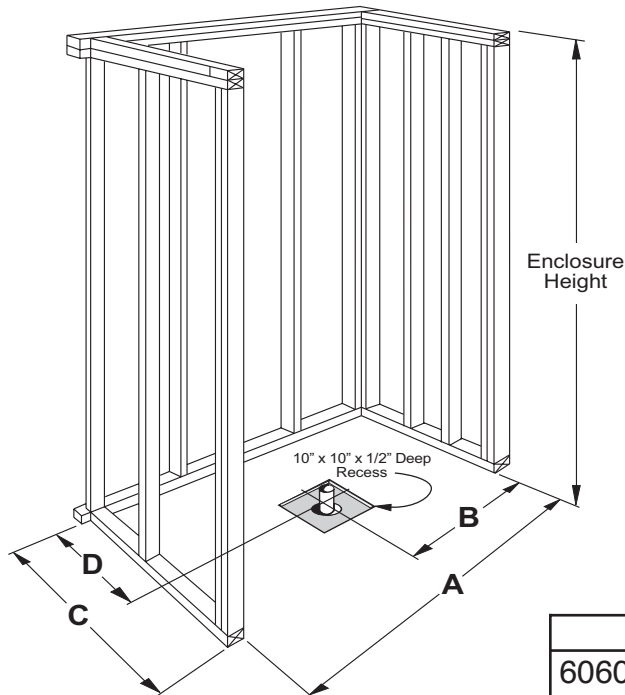
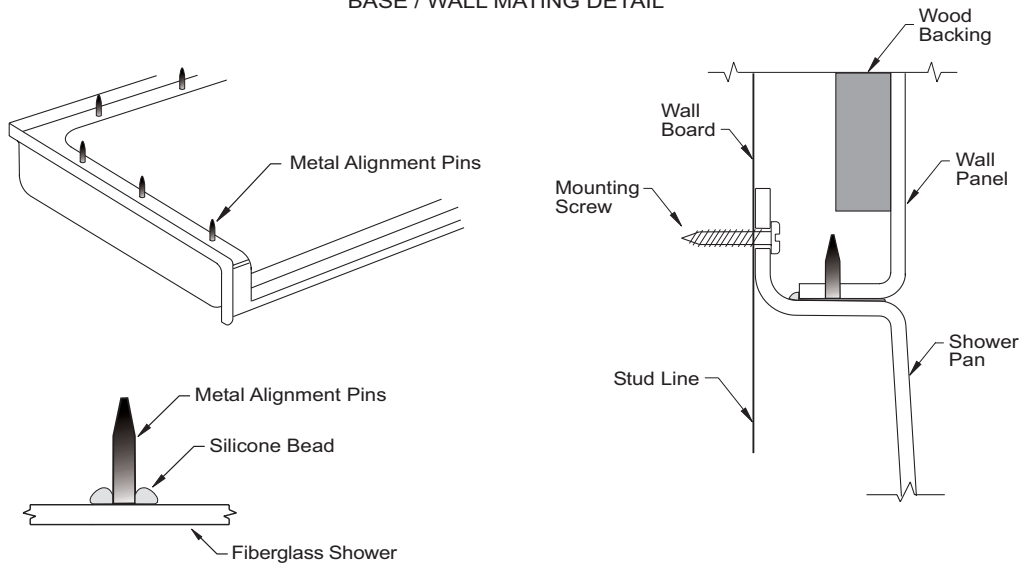


FRONT ELEVATION

FREE OM SHOWERS

MODEL: APF6060BF5P Freedom Accessible Shower Submittal Data - Installation

BASE / WALL MATING DETAIL



	A	B	C	D
6060 5P	60 1/4"	30 1/8"	61 1/4"	30 1/8"