

## Accessible Corner Shower API3LRS4848B22B



Shower shown with available accessories  
Comes standard in white, colour upgrade available

48" x 48" x 79"  
3-piece for remodeling

2 1/4" threshold  
with pre-levelled and  
re-inforced shower base  
for easy installation.

1 molded soap ledge.

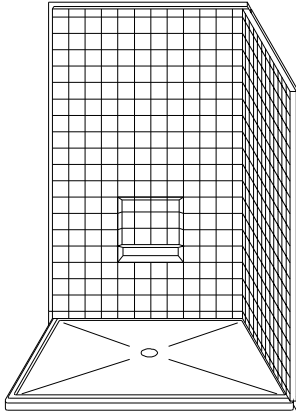
Durable, luxurious and  
easy to clean gelcoat fiber-  
glass with 4" tile look.

Full plywood backing in  
walls offers strength and  
easy installation of  
accessories.

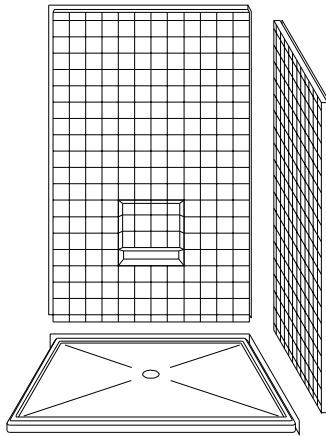
Accessories available:  
Grab bars, padded folding  
shower seat, collapsible  
water retainer, weighted  
shower curtain and rod,  
glide bar with handheld  
shower, pressure balance  
valve, caulkless drain, ramp,  
window and flange trim kits.

# MODEL: API3LRS4848B22B

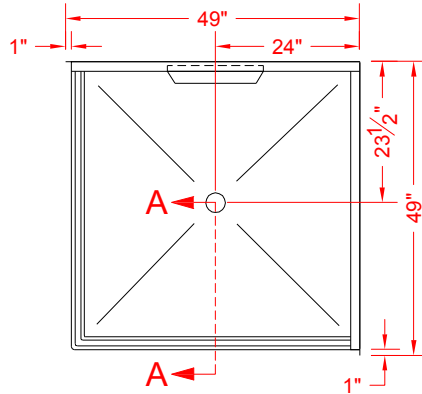
ALL ACCESSORIES OPTIONAL



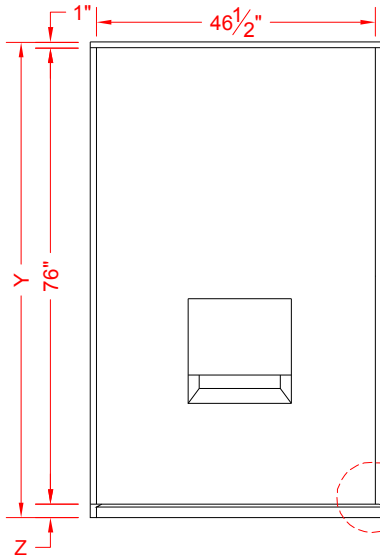
PERSPECTIVE VIEW - N.T.S.  
MODEL SHOWN HERE AS:  
RIGHT HAND



ASSEMBLY VIEW - N.T.S.



TOP VIEW - SCALE  $\frac{3}{8}'' = 1'-0''$



FRONT ELEVATION - SCALE:  $\frac{3}{8}'' = 1'-0''$



BARRIER FREE

## Features:

- Molded, 3 piece gelcoat/fiberglass shower module
- "Real Tile" wall finish, white (standard)
- Integral full wood backing for strength and unlimited accessory placement
- On all threshold, heights 1-1/2" or taller, no mud set is required
- On all threshold, heights 1-1/4" or shorter, no mud set is required, but an epoxy adhesive kit is supplied

	UNIT HEIGHT	THRESHOLD HEIGHT
MODEL #	Y	Z*
API3LRS4848B22B	79"	2-1/4" MIN.
-	-	-

\* - SEE BACK FOR DETAIL SECTIONS

## PRODUCT SPECIFICATIONS:

- Multi piece shower module shall be constructed of gelcoat/fiberglass with full integral plywood backing
- Rough-In: Stud opening +1/4" -0" Nominal Dimensions.

C.S.I. FORMAT SPECIFICATION TEXT AVAILABLE

## PRODUCT INFORMATION:

## ACCESSORIES:

### INSTALLED BY OTHERS:

- Grab bar
- Mixing valve, pressure balanced, lever handle, preplumbed tree to supply elbow
- Curtain and rod
- Collapsible Rubber Water Retainer
- Semi-permanent Threshold Adaptor
- Caulkless drain

## CODES:

- Designed and manufactured in compliance with the following standards and codes:
- A.N.S.I. Z124.2 Standards for Plastic Showers
  - I.P.C. International Plumbing Code
  - U.P.C. Uniform Plumbing Code

## NOTICE OF LIMITATION:

- Recess as needed to meet code
- Adhere to floor as required

1-877-947-7769

www.Accessible-Bathrooms.com

We reserve the right to make revisions without notice in the design of fixtures or in packaging unless this right has specifically been waived at the time the order is accepted.

□ API3LRS4848B22B

