



Accessible Shower API4LES5430B17T



54" x 30" x 79"
4-piece for remodeling
Left or Right drain available

1 3/4" threshold with
pre-levelled and re-inforced
shower base for easy
installation.

3 molded soap ledge.

Durable, luxurious and
easy to clean gelcoat fiber-
glass with 8" tile look.

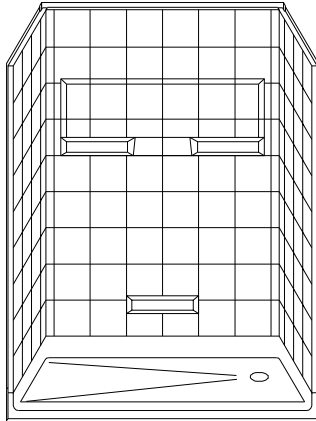
Full plywood backing in
walls offers strength and
easy installation of
accessories.

Accessories available:
Grab bars, padded folding
shower seat, collapsible
water retainer, weighted
shower curtain and rod,
glide bar with handheld
shower, pressure balance
valve, caulkless drain, ramp,
window and flange trim kits.

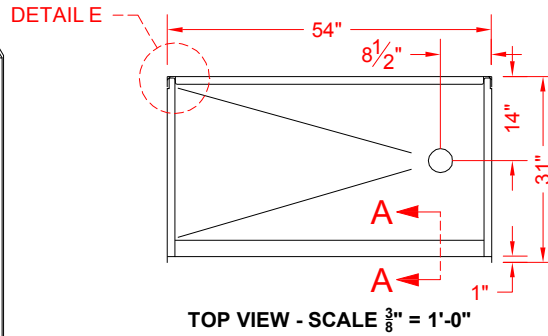
Shower shown with available accessories
Comes standard in white, colour upgrade available

MODEL: API4LES5430B17T

ALL ACCESSORIES OPTIONAL

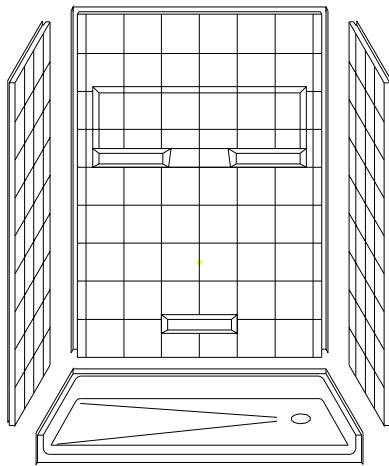


**PERSPECTIVE VIEW - N.T.S.
MODEL SHOWN HERE AS:**

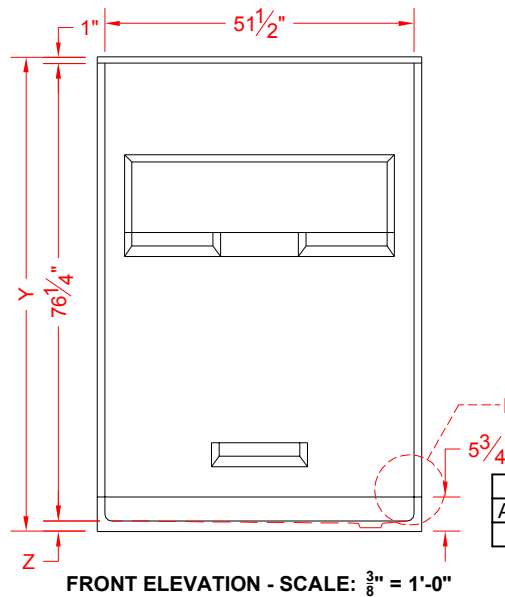


Features:

- Molded, 4 piece gelcoat/fiberglass shower module
- "Eight inch Tile" wall finish, white (standard)
- Integral full wood backing for strength and unlimited accessory placement



ASSEMBLY VIEW - N.T.S.



	UNIT HEIGHT	THRESHOLD HEIGHT
MODEL #	Y	Z*
API4LES5430B17T	79"	1-3/4"
-	-	-

* - SEE BACK FOR DETAIL SECTIONS

PRODUCT SPECIFICATIONS:

- Multi piece shower module shall be constructed of gelcoat/fiberglass with full integral plywood backing
- Rough-In: Stud opening +1/4" -0" Nominal Dimensions.

C.S.I. FORMAT SPECIFICATION TEXT AVAILABLE

PRODUCT INFORMATION:

ACCESSORIES:

INSTALLED BY OTHERS:

- Grab bar
- Seat, folding
- Mixing valve, pressure balanced, lever handle, preplumbed tree to supply elbow
- Curtain and rod
- Collapsible Rubber Water Retainer
- Semi-permanent Threshold Adaptor
- Caulkless drain

CODES:

Designed and manufactured in compliance with the following standards and codes:
-A.N.S.I. Z124.2 Standards for Plastic Showers

NOTICE OF LIMITATION:

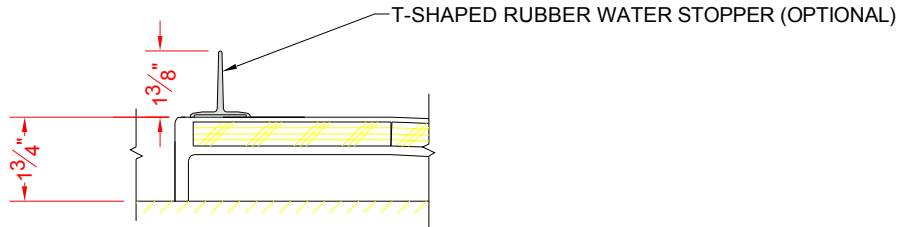
- Does not meet:
I.P.C. International Plumbing Code
U.P.C. Uniform Plumbing Code

1-877-947-7769

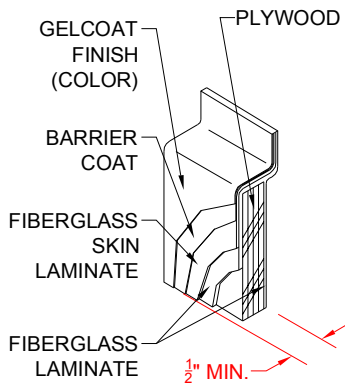
www.Accessible-Bathrooms.com

We reserve the right to make revisions without notice in the design of fixtures or in packaging unless this right has specifically been waived at the time the order is accepted.

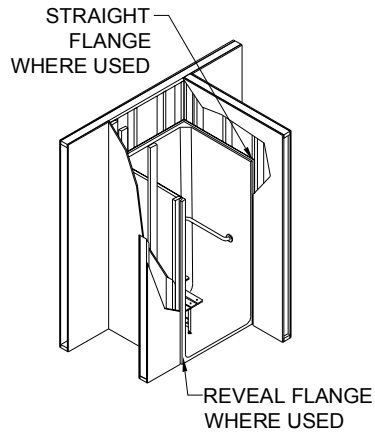
□ API4LES5430B17T



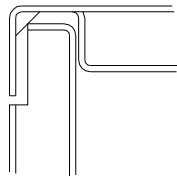
SECTION A-A - SCALE: 3" = 1'-0"



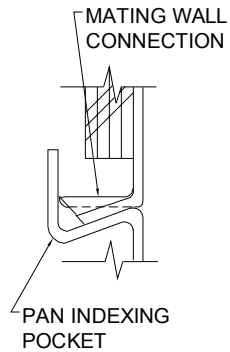
DETAIL B - SCALE: 3" = 1'-0"
WALL SECTION DETAIL



DETAIL C - SCALE: NTS
TYPICAL FRAMING



DETAIL E - SCALE: NTS
WALL JOINT DETAIL



DETAIL F - SCALE: NTS
PAN JOINT DETAIL