

Accessible Barrier Free Shower API4RS6034B75B



60" x 34" x 71.5"
4-piece for remodeling

3/4" bevelled threshold
with pre-levelled and
re-inforced shower base
for easy installation.

Molded soap ledges.

Durable, luxurious and
easy to clean gelcoat fiber-
glass with 4 " tile look.

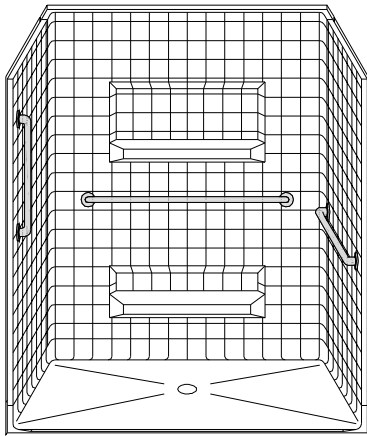
Full plywood backing in
walls offers strength and
easy installation of
accessories.

Accessories available:
Grab bars, padded folding
shower seat, collapsible
water retainer, weighted
shower curtain and rod,
glide bar with handheld
shower, pressure balance
valve, caulkless drain,
window and flange trim kits.

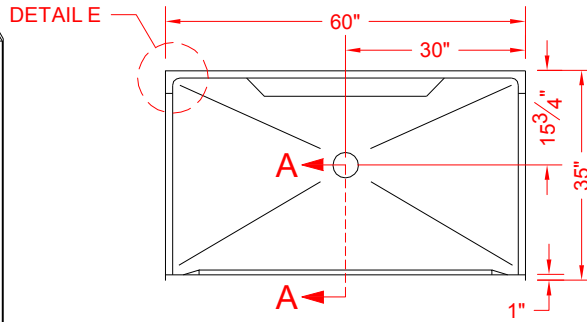
Shower shown with available accessories
Comes standard in white, colour upgrade available

MODEL: API4RS6034B75B

ALL ACCESSORIES OPTIONAL



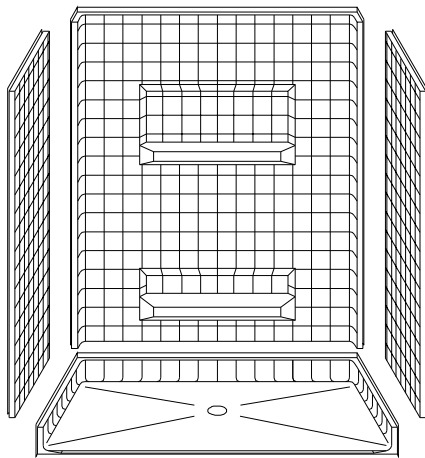
PERSPECTIVE VIEW - N.T.S.



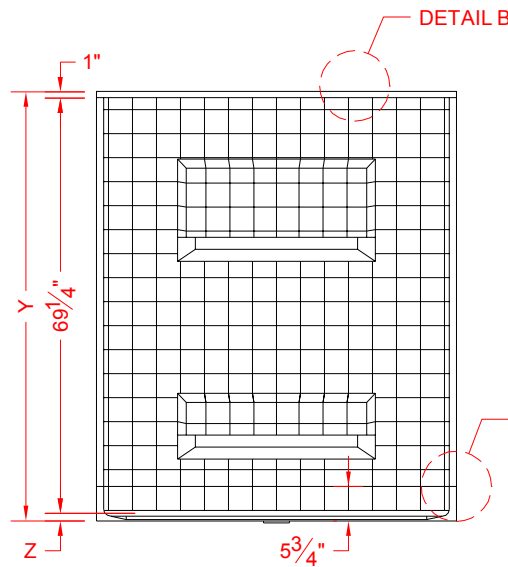
TOP VIEW - SCALE $\frac{3}{8}$ " = 1'-0"



BARRIER FREE



ASSEMBLY VIEW - N.T.S.



FRONT ELEVATION - SCALE: $\frac{3}{8}$ " = 1'-0"

Features:

- Molded, 4 piece gelcoat/fiberglass shower module
- Available in various threshold heights
- "Real Tile" wall finish, white (standard)
- Integral full wood backing for strength and unlimited accessory placement

***OTHER THRESHOLD HEIGHTS AVAILABLE UPON REQUEST**

MODEL #	UNIT HEIGHT Y	THRESHOLD HEIGHT Z*
API4RS6034B75B	71-1/2"	1-1/4" MIN.

* - SEE BACK FOR DETAIL SECTIONS

PRODUCT SPECIFICATIONS:

- Multi piece shower module shall be constructed of gelcoat/fiberglass with full integral plywood backing
- Rough-In: Stud opening +1/4" -0" Nominal Dimensions.

C.S.I. FORMAT SPECIFICATION TEXT AVAILABLE

PRODUCT INFORMATION:

ACCESSORIES:

INSTALLED BY OTHERS:

- Grab bar
- Seat, folding
- Mixing valve, pressure balanced, lever handle, preplumbed tree to supply elbow
- Vacuum breaker
- Soap dish
- Curtain and rod
- Collapsible Rubber Water Retainer
- Semi-permanent Threshold Adaptor
- Caulkless drain

CODES:

Designed and manufactured in compliance with the following standards and codes:
 -A.N.S.I. Z124.2 Standards for Plastic Showers

NOTICE OF LIMITATION:

-Does not meet:
 I.P.C. International Plumbing Code
 U.P.C. Uniform Plumbing Code

1-877-947-7769
www.Accessible-Bathrooms.com

We reserve the right to make revisions without notice in the design of fixtures or in packaging unless this right has specifically been waived at the time the order is accepted.

□ API4RS6034B75B

