

Accessible Roll-in Shower API5LDS6034B75B



Shower shown with available accessories
Comes standard in white, colour upgrade available

60" x 34" x 81"
4-piece for remodeling

3/4" bevelled threshold
with pre-levelled and
re-inforced shower base
for easy installation.

Molded soap ledges in
corner tower.

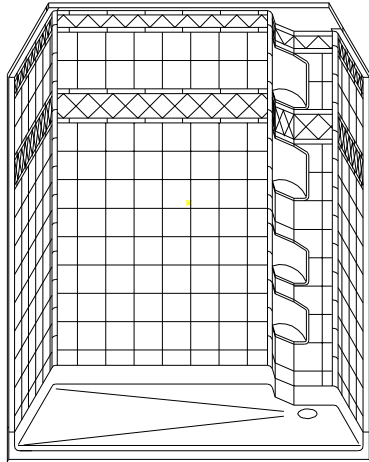
Durable, luxurious and
easy to clean gelcoat fiber-
glass with 6" tile and diamond
accents.

Full plywood backing in
walls offers strength and
easy installation of
accessories.

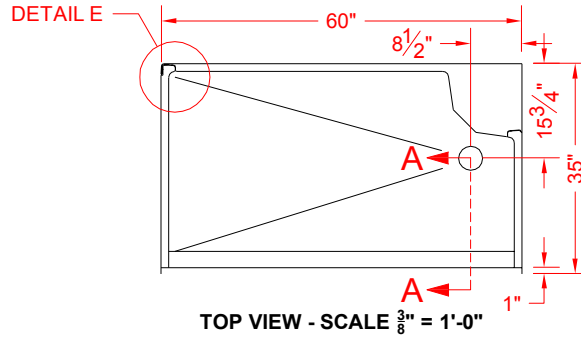
Accessories available:
Grab bars, padded folding
shower seat, collapsible
water retainer, weighted
shower curtain and rod,
glide bar with handheld
shower, pressure balance
valve, caulkless drain,
window and flange trim kits.

MODEL: API5LDS6034B17T

ALL ACCESSORIES OPTIONAL

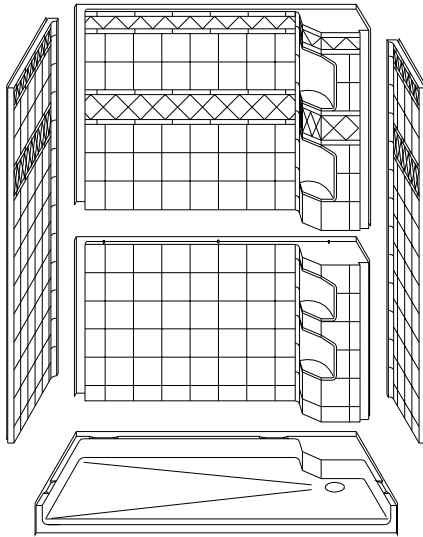


PERSPECTIVE VIEW - N.T.S.

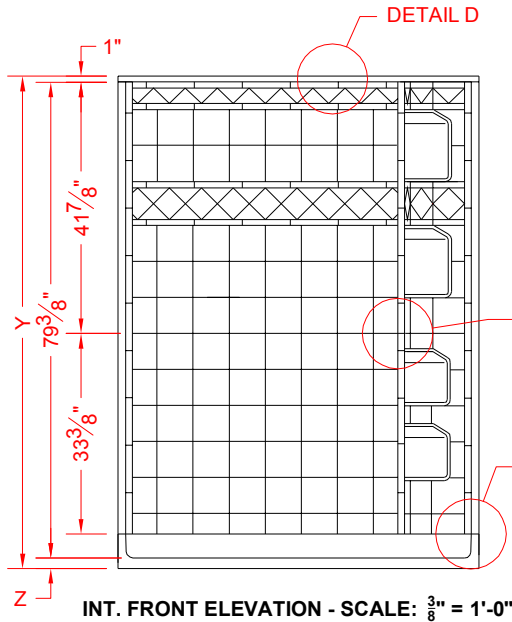


Features:

- Molded, 5 piece gelcoat/fiberglass shower module
- Available in various threshold heights
- "Diamond Tile" wall finish, white (standard)
- Integral full wood backing for strength and unlimited accessory placement



ASSEMBLY VIEW - N.T.S.



*OTHER THRESHOLD HEIGHTS AVAILABLE UPON REQUEST

MODEL #	UNIT HEIGHT Y	THRESHOLD HEIGHT Z*
API5LDS6034B17T	82"	1-3/4" MIN.

* - SEE BACK FOR DETAIL SECTIONS

PRODUCT SPECIFICATIONS:

- Multi piece shower module shall be constructed of gelcoat/fiberglass with full integral plywood backing
- Rough-In: Stud opening +1/4" -0" Nominal Dimensions.

C.S.I. FORMAT SPECIFICATION TEXT AVAILABLE

PRODUCT INFORMATION:

ACCESSORIES:

INSTALLED BY OTHERS:

- Grab bar
- Seat, folding
- Mixing valve, pressure balanced, lever handle, preplumbed tree to supply elbow
- Vacuum breaker
- Soap dish
- Curtain and rod
- Collapsible Rubber Water Retainer
- Semi-permanent Threshold Adaptor
- Caulkless drain

CODES:

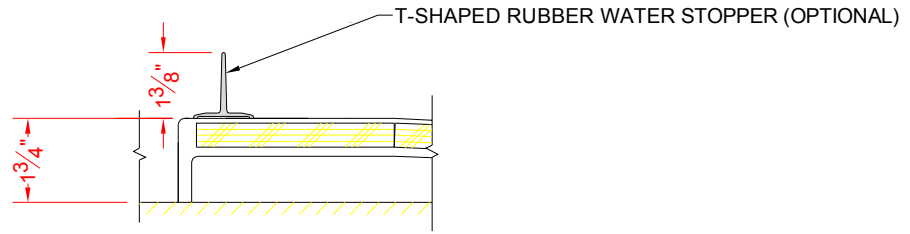
- Designed and manufactured in compliance with the following standards and codes:
- A.N.S.I. Z124.2 Standards for Plastic Showers
 - I.P.C. International Plumbing Code
 - U.P.C. Uniform Plumbing Code

NOTICE OF LIMITATION:

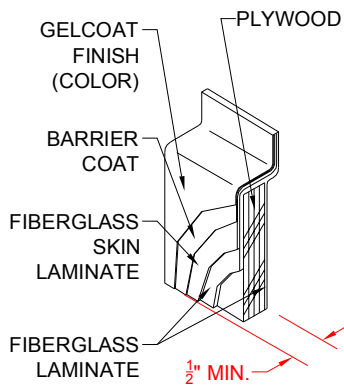
1-877-947-7769
www.Accessible-Bathrooms.com

We reserve the right to make revisions without notice in the design of fixtures or in packaging unless this right has specifically been waived at the time the order is accepted.

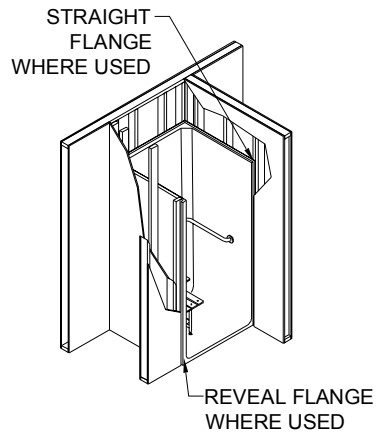
□ API5LDS6034B17T



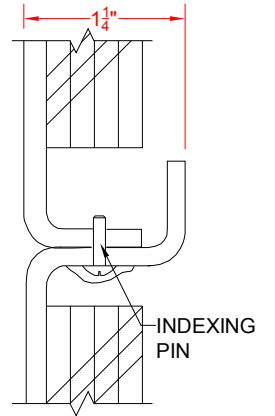
SECTION A-A - SCALE: 3" = 1'-0"



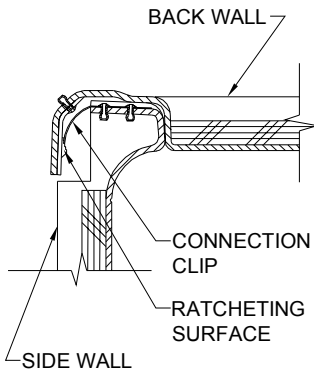
DETAIL B - SCALE: 3" = 1'-0"
WALL SECTION DETAIL



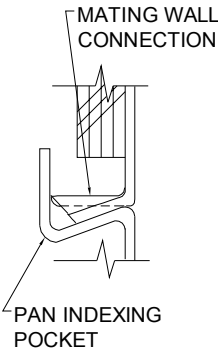
DETAIL C - SCALE: NTS
TYPICAL FRAMING



DETAIL D - SCALE: 3" = 1'-0"
SIDE TO BACKWALL DETAIL



DETAIL E - SCALE: NTS
WALL JOINT DETAIL



DETAIL F - SCALE: NTS
PAN JOINT DETAIL