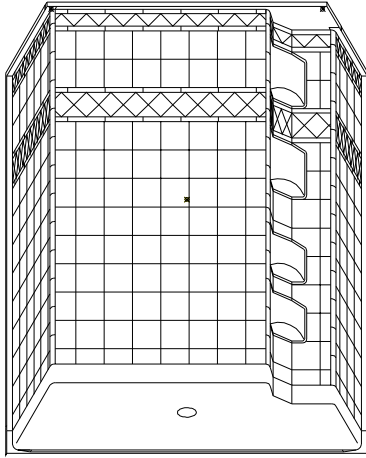
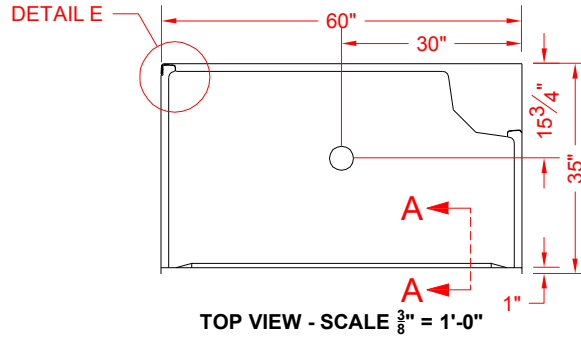


MODEL: API5LDS6034B75B

ALL ACCESSORIES OPTIONAL



PERSPECTIVE VIEW - N.T.S.



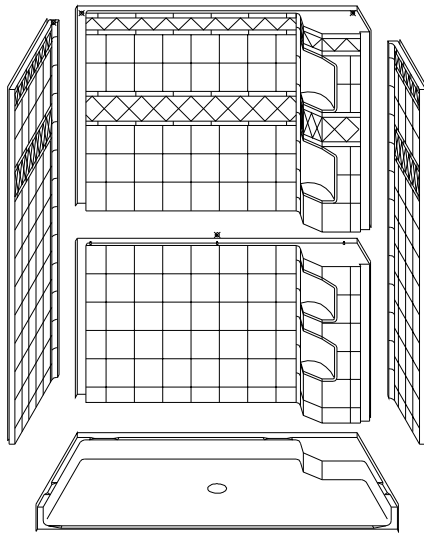
Features:

- Molded, 5 piece gelcoat/fiberglass shower module
- Available in various threshold heights
- "Diamond Tile" wall finish, white (standard)
- Integral full wood backing for strength and unlimited accessory placement
- On all threshold, heights 1-1/2" or taller, no mud set is required
- On all threshold, heights 1-1/4" or shorter, no mud set is required, but an epoxy adhesive kit is supplied

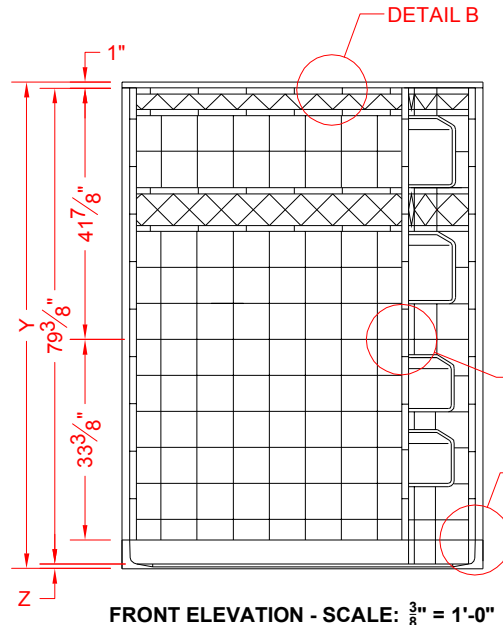
***OTHER THRESHOLD HEIGHTS AVAILABLE UPON REQUEST**

	UNIT HEIGHT	THRESHOLD HEIGHT
MODEL #	Y	Z*
API5LDS6034B75B	81"	3/4" MIN.

* - SEE BACK FOR DETAIL SECTIONS



ASSEMBLY VIEW - N.T.S.



PRODUCT SPECIFICATIONS:

- Multi piece shower module shall be constructed of gelcoat/fiberglass with full integral plywood backing
- Rough-In: Stud opening +1/4" -0" Nominal Dimensions.

C.S.I. FORMAT SPECIFICATION TEXT AVAILABLE

PRODUCT INFORMATION:

ACCESSORIES:

INSTALLED BY OTHERS:

- Grab bar
- Seat, folding
- Mixing valve, pressure balanced, lever handle, preplumbed tree to supply elbow
- Vacuum breaker
- Soap dish
- Curtain and rod
- Collapsible Rubber Water Retainer
- Semi-permanent Threshold Adaptor
- Caulkless drain

CODES:

Designed and manufactured in compliance with the following standards and codes:

- A.N.S.I. Z124.2 Standards for Plastic Showers
- I.P.C. International Plumbing Code
- U.P.C. Uniform Plumbing Code

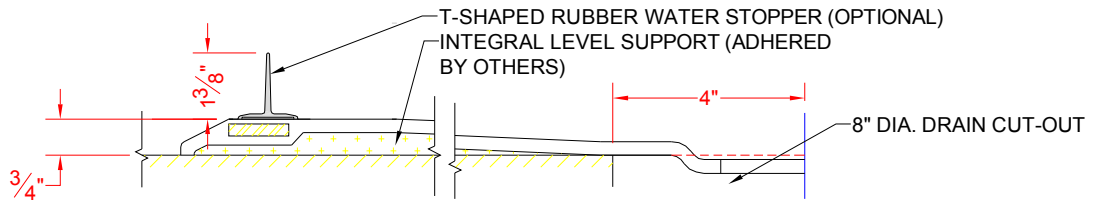
NOTICE OF LIMITATION:

1-877-947-7769

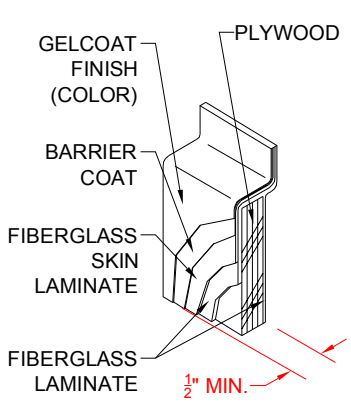
www.Accessible-Bathrooms.com

We reserve the right to make revisions without notice in the design of fixtures or in packaging unless this right has specifically been waived at the time the order is accepted.

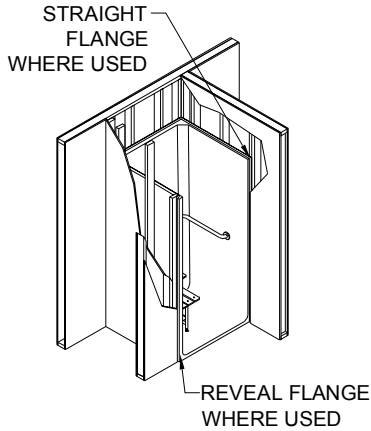
□ API5LDS6034B75B



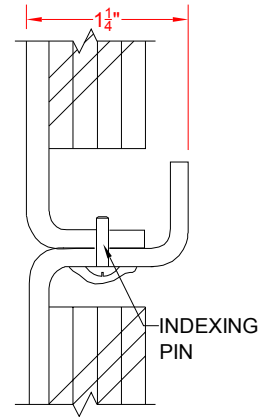
SECTION A-A - SCALE: 3" = 1'-0"



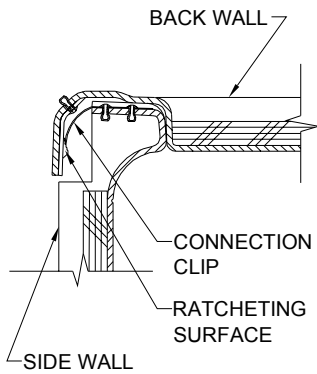
DETAIL B - SCALE: 3" = 1'-0"
WALL SECTION DETAIL



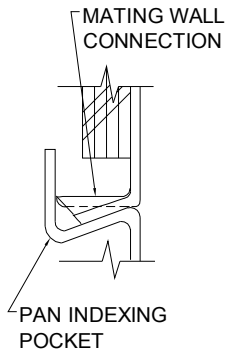
DETAIL C - SCALE: NTS
TYPICAL FRAMING



DETAIL D - SCALE: 3" = 1'-0"
SIDE TO BACKWALL DETAIL



DETAIL E - SCALE: NTS
WALL JOINT DETAIL



DETAIL F - SCALE: NTS
PAN JOINT DETAIL