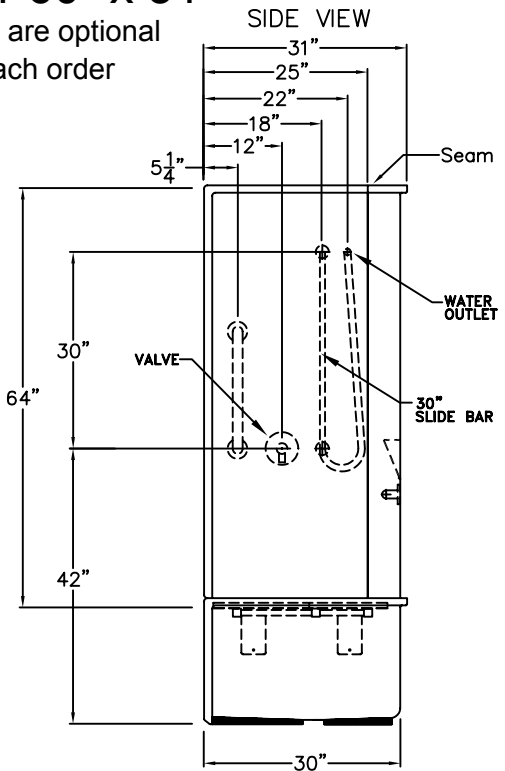
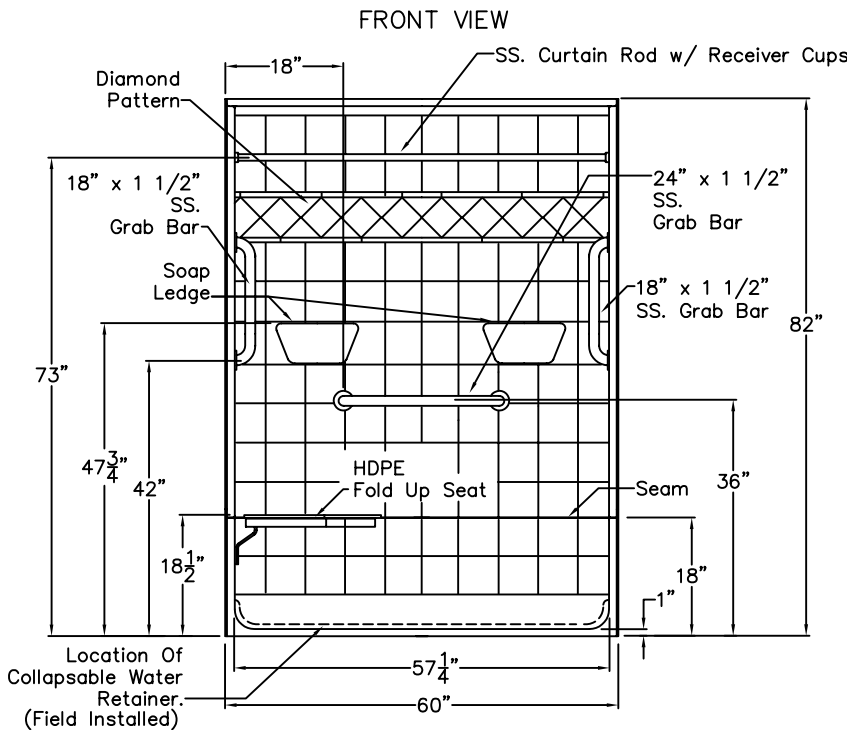


# Accessible Multi-piece Shower 60" x 31"

Submittal Information; All accessories shown are optional  
Custom submittal forms completed with each order



## Curbless Non-Recessing Shower Stall

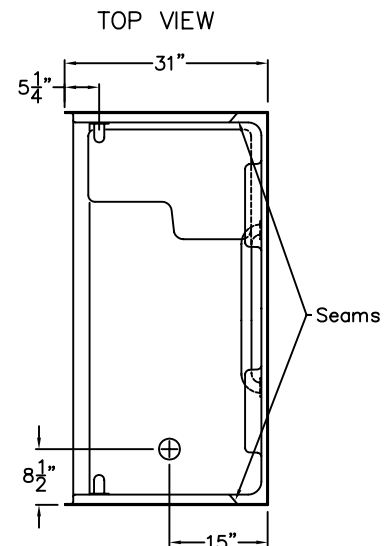
The shower enclosure shall be Accessibility Professionals Model APTXSTS6030BFKD center, right or left. Finished surface shall be of a sanitary-grade polyester gelcoat exhibiting a minimal thickness of 15 dry mils, and a finished cured Barcol hardness of 80-90 as tested with ASTM D-2583. Unit construction shall be of molded reinforced fiberglass with a 15% minimum fiberglass content. The unit shall have outside dimensions of 60" x 31" x 82". The base shall be attached to the sump of the unit in such a manner to form an integral part with an inner and outer coating of reinforced polyester resin. The unit shall meet ANSI 124.2, HUD, BOCA, NAHB, UPC, and shall meet the requirements of Southern Building Code.

The enclosure may be equipped with the following installed accessories:

- 1) molded soap ledges,
- 2) tile finish,
- 3) diamond tile,
- 4) 24" x 1 1/2" stainless steel grab bar on the back wall,
- 5) one 18" x 1 1/2" stainless steel vertical grab bar on each side wall,
- 6) frameless hdpe fold up seat mounted on the left hand wall,
- 7) 3/4" threshold,
- 8) one inch diameter stainless steel curtain rod with receiver cups,
- 9) white shower curtain,
- 10) collapsable water retainer, (shipped loose, field installed by contractor),
- 12) self-caulking drain,
- 13) valve package includes: control valve, hand held shower with swivel connector and 60" flex hose, 30" slide bar, vacuum breaker, wall fitting, and brackets.

THIS UNIT FEATURES THE OUTSIDE DIMENSIONS OF 60" OF OVERALL WIDTH. THIS DOES NOT ALLOW FOR FULL ENCLOSURE OF THE BOLTS THAT ARE USED TO SECURE THE BARS AND SEAT IN PLACE. THE BOLT AND NUT COMBINATION SHOULD NOT PROTRUDE ANY MORE THAN 3/4" ON EITHER SIDE.

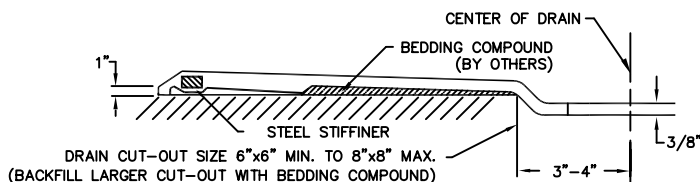
THIS SHOULD NOT CREATE ANY TYPE OF INSTALLATION PROBLEMS EXCEPT FOR A DRY WALL ENCLOSED FIRE WALL INSTALLATION AREA THAT WOULD NOT ALLOW FOR ANY VARIATIONS. IN A STANDARD STUD/ OPENING INSTALLATION THE EXTENSION OF THE HARDWARE SHOULD NOT CAUSE ANY TYPE OF PROBLEM.



DUE TO THE NATURE OF THE MATERIALS DIMENSIONS MAY VARY ± 1/2"

**INSTALLATION WARNING:** This model is not designed to be installed as a one piece unit. The base shall be self supported and shall not rely on wall sections for support. Base shall be set, supported with thinset to support the floor and fasteners shall support the mounting flanges prior to installation of the wall sections. This procedure will insure caulked joints or seams will not separate, allowing water to penetrate the wall cavity. Should installer wish to install without disassembly, special instructions apply. contact Accessibility Professionals at 1-877-947-7769 for written authorization. NOTE: Use temporary bracing to maintain factory pitch to drain while thin set cures.

**FAILURE TO COMPLY WITH THESE PROCEDURES WILL VOID YOUR WARRANTY.**



CROSS-SECTION OF THRESHOLD

Drawing#: APTXST6030BFKD1 HBW VSW(2) FHDP  
CR WC DN CWR VP

Date: 6-5-07

Revised: 6-24-08

Quote No.: