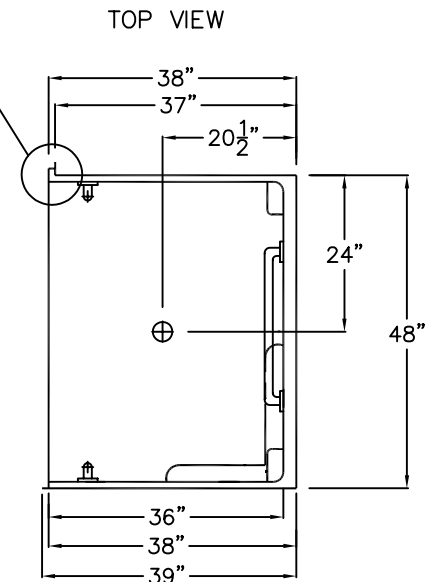
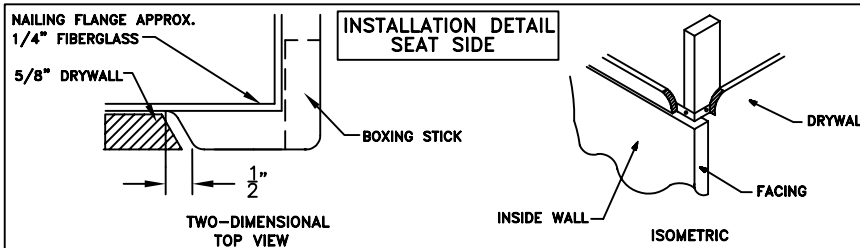
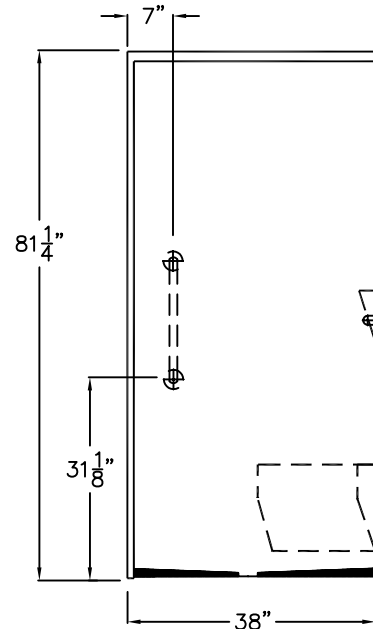
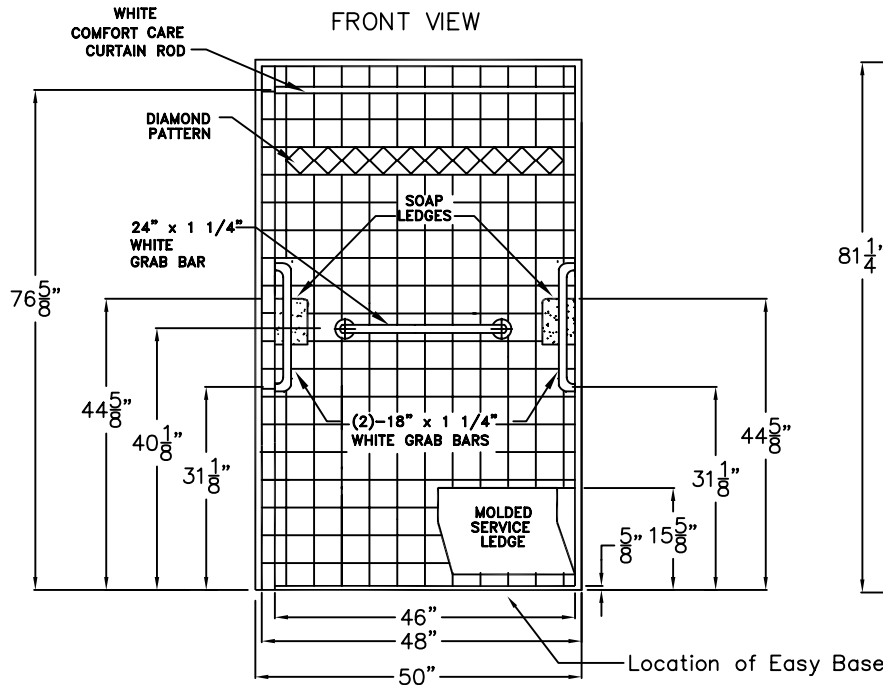


ACCESSIBLE SHOWER 50" X 38" O.D.
SUBMITTAL DATA © 2002

SIDE VIEW
BOTH SIDES



Accessible Shower Stall

The shower enclosure shall be Accessibility Professionals Model APXST5038BF5 right or left. Finished surface shall be of a sanitary-grade polyester Gelcoat exhibiting a minimal thickness of 15 dry mils, and a finished cured Barcol hardness of 80-90 as tested with ASTM D-2583. Unit construction shall be of molded reinforced fiberglass with a 15% minimum fiberglass content. The base shall be attached to the sump of the unit in such a manner to form and integral part with an inner and outer coating of reinforced polyester resin. The unit shall meet ANSI 124.2, HUD, BOCA, NAHB, UPC, and shall meet the requirements of Southern Building Code. Framing Coordination: Framing pocket 48" x 38". Add 1/4" to width for required installation wiggle room. Refer to Page 2 and Installation Instructions for further details.

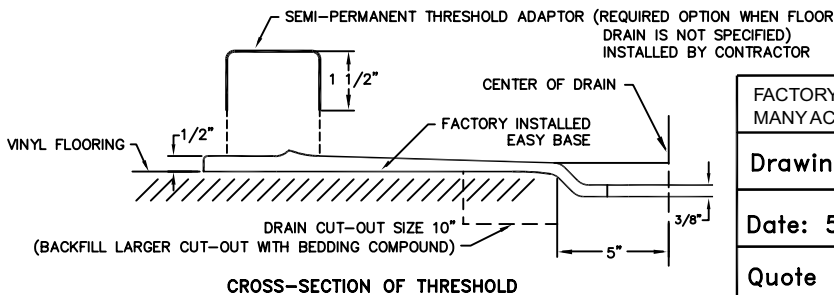
The enclosure shall be equipped with the following installed accessories:

- 1) one 24" x 1 1/4" diameter, white grab bar on back wall, 2) two 18" x 1 1/4" white vertical grab bar, one on each side wall, all with 1 1/2" statute clearance, mounted with stainless steel bolts and secured from the rear with a 3" x 3" x 11 gauge metal mounting plate, 3) 1" diameter white Comfort Care curtain rod, 4) 5/8" threshold, 5) molded service ledge, 6) receiver flange, 7) two molded soap dishes, 8) diamond pattern on back wall, 9) factory installed Easy Base self sustaining bottom.

NOTE: THIS UNIT REQUIRES NO CAULK BRASS DRAIN

NOTE: THERE IS NO DRAFT ON THE TOP SIDE OF THE SOAP DISHES.

NOTE: DO NOT ROUGH-IN ON THE VALVE SIDE UNTIL THE UNIT IS RECEIVED AND IN PLACE.



DUE TO THE NATURE OF THE MATERIALS
DIMENSIONS MAY VARY ± 1/2"

FACTORY INSTALLATION OF SHOWER ACCESSORIES IS AVAILABLE.
MANY ACCESSORY OPTIONS.

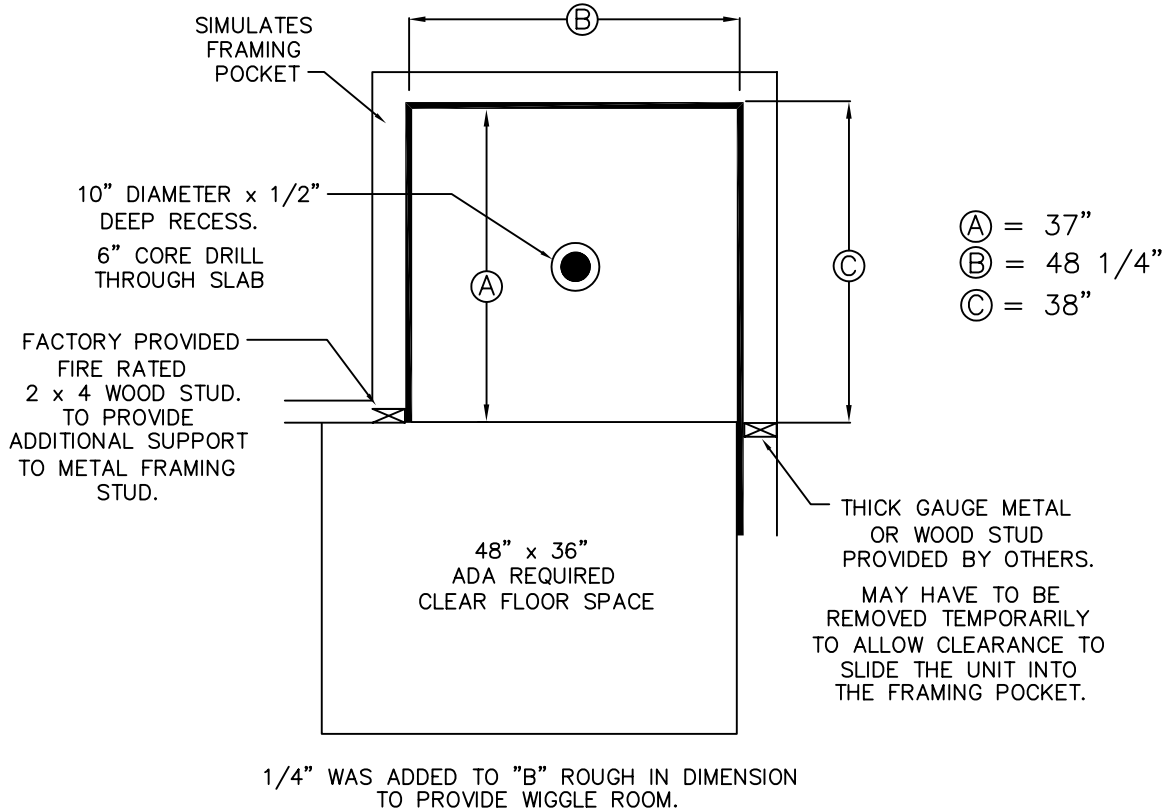
Drawing#: XST5038 BF .625 WHBW WVSW WCR EB

Date: 5-23-00

Revised: 8-6-08

Quote No.:

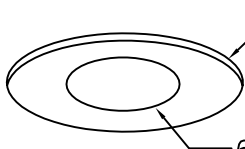
SUBMITTAL DATA © 2003



This section refers to units with a 1/2" threshold.

"No Recess Necessary" units are designed to be installed directly on the sub-floor surface. A 10" diameter x 1/2" deep recess around the 6 inch drain core is required to accept the factory drain slope of the unit.

A non-shrinking bedding slurry is required for standard installation.



10" Diameter x 1/2" Deep Recess

6" Drain Core

For units configured with the factory installed EASY BASE self sustaining bottom may only need to be shimmed. The floor of the shower is adhered to the floor with adhesive (provided by others).

Refer to installation instructions for further details.

DUE TO THE NATURE OF THE MATERIALS DIMENSIONS MAY VARY ± 1/2"

Name:			
el No.:	Drawing#: XST5038 BF .625 WHBW WVSW WCR EB		
Approved by:	Date Approved:	Date: 9-14-99	Page 2 of 2 Revised: 8-6-08